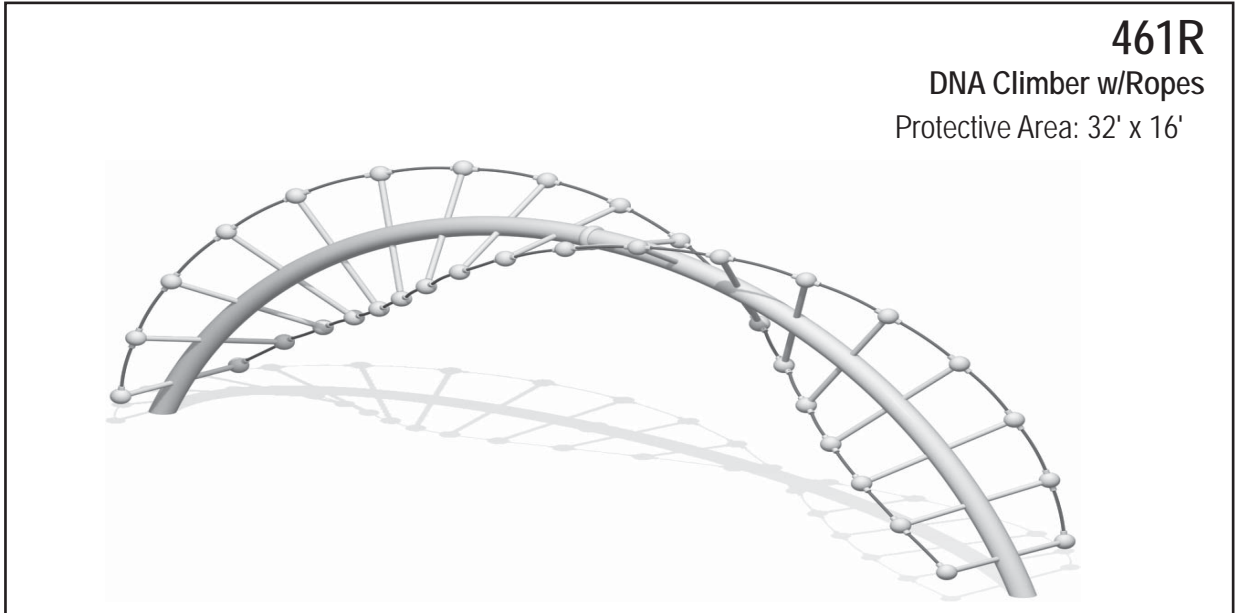


DNA Climber w/Ropes

IMPORTANT! Prior to installation of any components, refer to the "Owner/Operator Manual". This manual will provide important information pertaining to site preparation, footings, system stabilization and other necessary information vital to the success of your installation.



Note: An () by a part number (CODE) indicates: Color Code Required.*

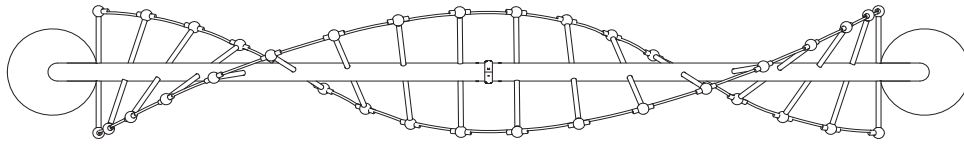
TOOLS AND EQUIPMENT REQUIRED

Refer to "Installations 101"

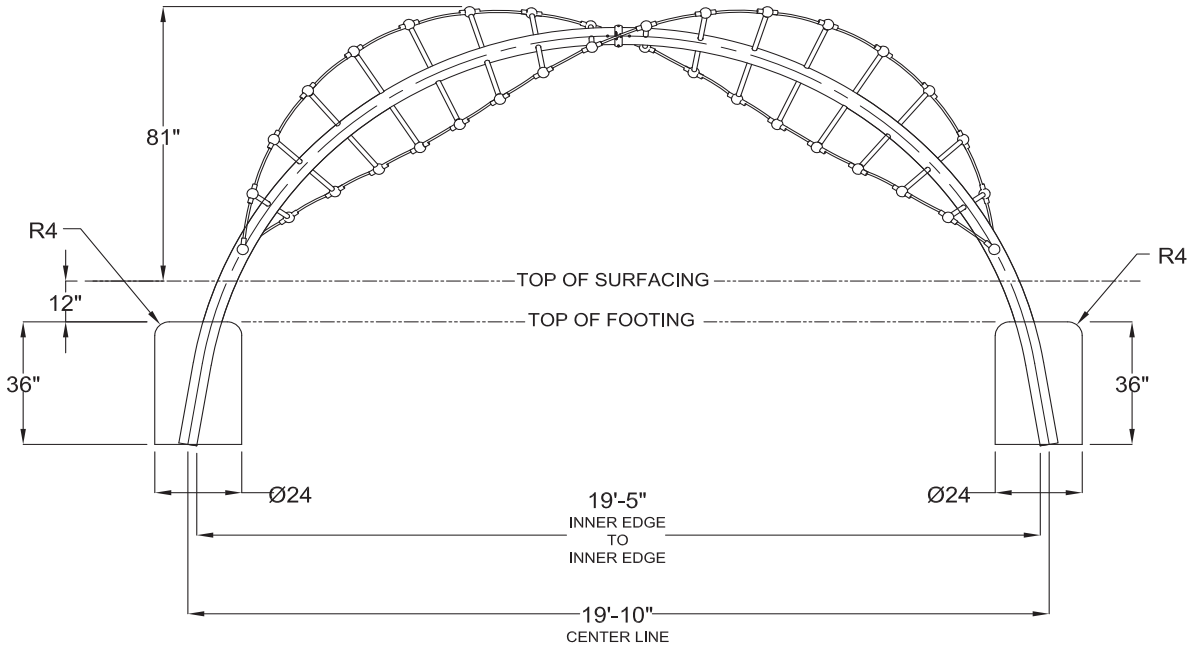
1. Concrete for footings, wheelbarrow or mixer, 5 gallon bucket, water supply
2. Digging equipment for footings (spade shovel, post hole digger, auger)
3. Bracing materials (2x4s, sawhorses, etc.)
4. Tape measure and level
5. Open end wrench set, Allen and 6-lobe wrenches or bits, socket set, screwdrivers
6. Drill, bits, extension cords, power supply
7. Step ladder
8. Adult installers - 2 minimum

DNA Climber w/Ropes

Top View



Footing Layout

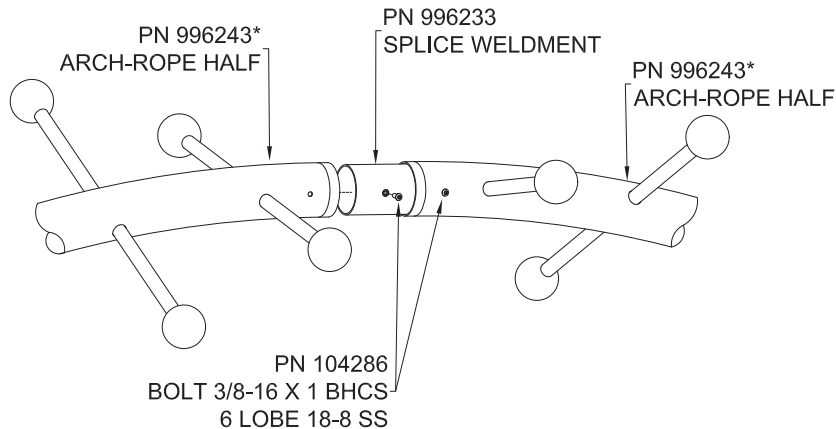


Note: 12" of protective surfacing is required above footings.

STEP 1 DIG FOOTINGS

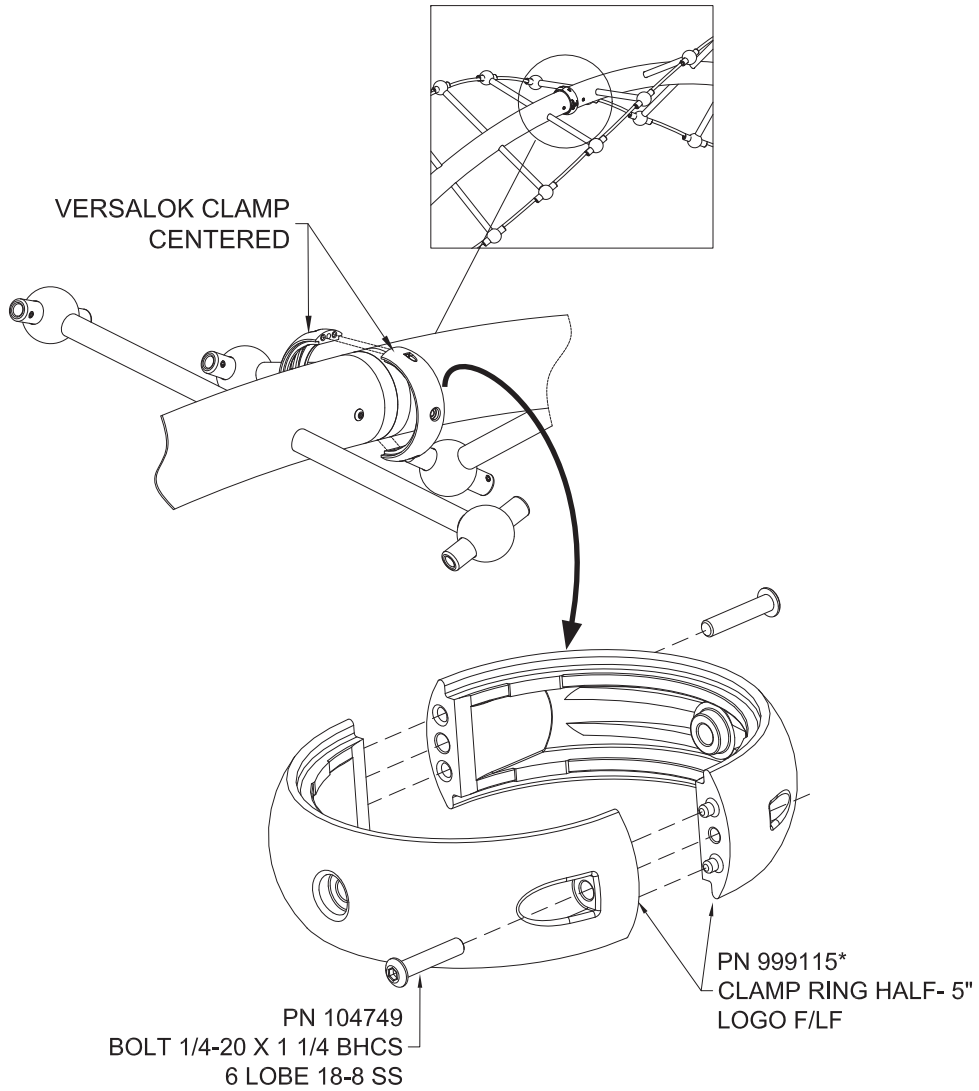
1a. Dig footing holes per *Footing Layout*. Refer to *Footing Details* installation located behind *Installations 101* in Installation Manual.

STEP 2 SECURE SPLICE WELDMENT INTO ARCH HALVES



DNA Climber w/Ropes

STEP 3 ATTACH VERSALOK CLAMP OVER ARCH CONNECTION POINT



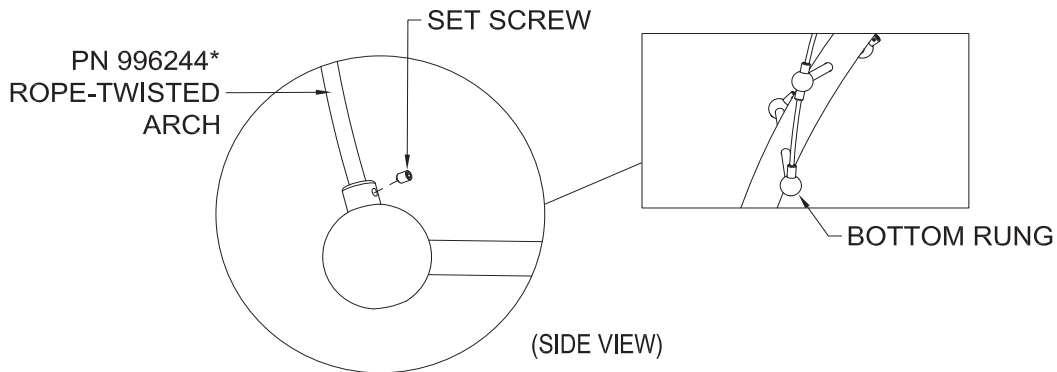
THIS SPACE INTENTIONALLY LEFT BLANK

DNA Climber w/Ropes

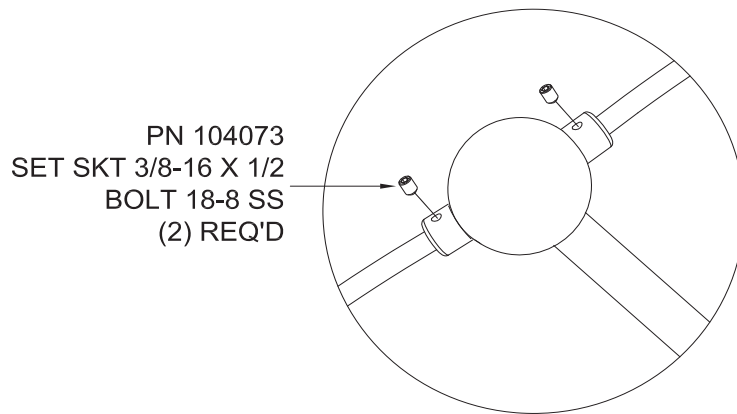
STEP 4 THREAD ROPE-TWISTED ARCH ONTO CLIMBER

- 4a. Begin at one end of the climber and thread the rope-twisted arch into the first sphere approximately 4", OR, until you feel the rope-twisted arch bottom out inside the sphere.
- 4b. Secure the rope-twisted arch with PN 104285; set screw should come in contact with the rope end ferrule. IF, the set screw comes in contact with the "rope", then use PN 104073.

Note: This applies ONLY to the four (4) ends of the climber.



- 4c. Continue threading the rope-twisted arch, one section at a time, through the rungs; tighten the rope-twisted arch, at each section, before securing with set screws.

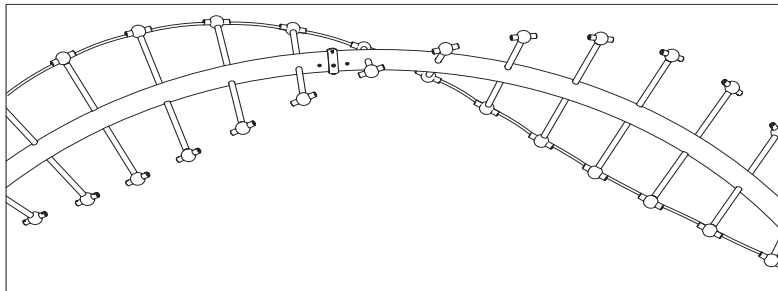


DNA Climber w/Ropes

STEP 4 THREAD ROPE-TWISTED ARCH ONTO CLIMBER cont.

- 4d. Make sure the rope-twisted arch is inserted into the correct rungs at the cross-over point.
- 4e. Repeat all of Step 4 for second rope-twisted arch

(CROSS-OVER POINT)



STEP 5 RAISE CLIMBER AND SET INTO FOOTINGS

- 5a. Raise the climber and place legs into footings; brace into position, level and plumb.
Pour concrete and allow to cure for 72 hours prior to allowing play.

FINAL STEP

Proceed with *Final Assembly installation* located behind *Installations 101* in the Installation Manual.

Bill of Materials

MODEL 461R DNA CLIMBER W/ROPES

<u>QUANTITY</u>	<u>PART NUMBER</u>	<u>DESCRIPTION</u>
2	996243*	ARCH-ROPE HALF
1	912291*	PARTS CARTON 461R
1	116048	LABEL, 2" X 2" WHITE POLYESTER THERMAL
1	116049	LAMINATE, CLEAR, 2" X 2" W/PERMANENT
1	986348	PARTS CARTON - GENERIC AND WARNING LABELS
1	994991	PARTS CARTON - 5-12 LABEL
1	999033*	PARTS CARTON - TOUCH-UP PAINT-POST
1	907326*	PARTS CARTON 461R

DNA Climber w/Ropes

Bill of Materials cont.**PARTS CARTON 912291***

<u>QUANTITY</u>	<u>PART NUMBER</u>	<u>DESCRIPTION</u>
2	996244*	ROPE-TWISTED ARCH
1	996233	SPLICE WELDMENT
1	HW912291-1	HRDW PKG 461R S1/1

HW912291-1 HRDW PKG 461R S1/1

<u>QUANTITY</u>	<u>PART NUMBER</u>	<u>DESCRIPTION</u>
72	104073	SET SKT 3/8-16 X 1/2 BOLT 18-8 SS
4	104286	BOLT 3/8-16 X 1 BHCS 6 LOBE 18-8 SS
2	104749	BOLT 1/4-20 X 1-1/4 BHCS 6 LOBE 18-8 SS
4	104285	SET SKT 3/8-16 X 3/8 18-8SS

PARTS CARTON 986348

<u>QUANTITY</u>	<u>PART NUMBER</u>	<u>DESCRIPTION</u>
1	116021	LABEL MIRACLE ID - GENERIC
1	116022	LABEL WARNING - PLAYGROUND - ENGLISH
1	713550	STICKER TOP OF SURFACING
1	116099	LABEL, PLAY SMART RULES

PARTS CARTON 994991

<u>QUANTITY</u>	<u>PART NUMBER</u>	<u>DESCRIPTION</u>
1	116037	LABEL - AGES 5-12 YEARS MREC

PARTS CARTON 999033

<u>QUANTITY</u>	<u>PART NUMBER</u>	<u>DESCRIPTION</u>
1	115208*	PAINT 4.5 OX AEROSOL CAN TOUCH UP

PARTS CARTON 907326*

<u>QUANTITY</u>	<u>PART NUMBER</u>	<u>DESCRIPTION</u>
2	999115*	CLAMP RING HALF-5" DIA NO LOGO F/LF